

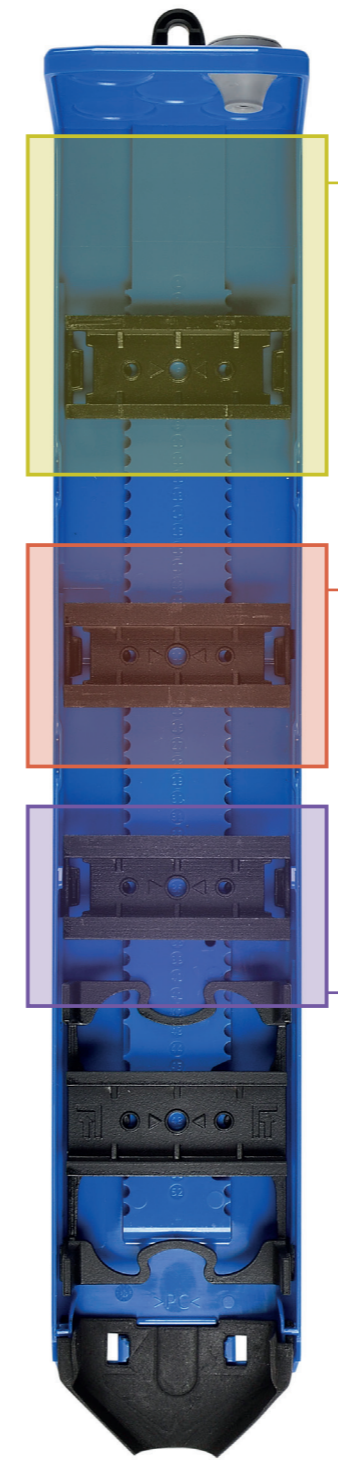
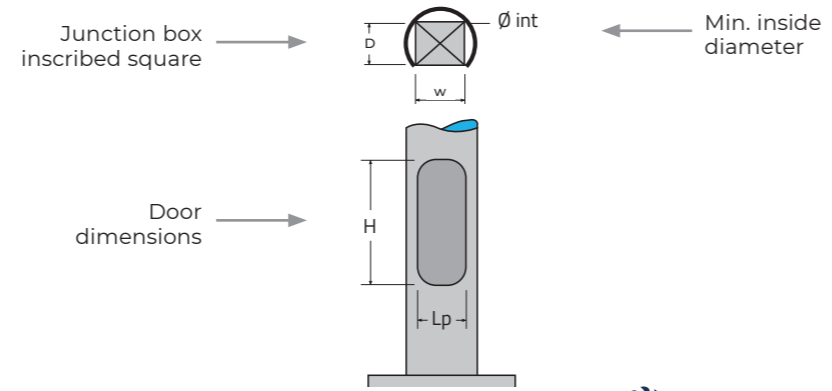
# Configuration support



	LOTIPAK	MINIPAK	DYNAPAK	CITYPAK	POLYPAK	INTERPAK	EUROPAK
Junction box inscribed square (mm)	W45 x D47	W52 x D47	W59 x D60	W59 x D60	W70 x D84	W70 x D82	W84 x D88
Recommended door dimensions (mm)	Lp50 x H300	Lp55 x H300	Lp60 x H300	Lp 60 x H400	Lp75 x H300	Lp75 x H400	Lp85 x H500
Min. inside diameter (mm)	∅ 65	∅ 70	∅ 84	∅ 84	∅ 110	∅ 110	∅ 122

TO CHOOSE THE RIGHT JUNCTION BOX ACCORDING TO THE SIZE OF THE POST, TWO IMPORTANT POINTS MUST BE TAKEN INTO ACCOUNT :

- Inscribed square of the post : space available inside the post (by the access door) to install a junction box and protection.
- Dimensions of the post door : check that the post door is big enough to easily install the junction box selected.



### PROTECTION ZONE

	LOTIPAK	MINIPAK	DYNAPAK	CITYPAK	POLYPAK	INTERPAK	EUROPAK	
Usable depth of the protection (mm)	41	41	48	48	70/74	65 / 78	75	
Usable width of the protection zone (mm)	30	42	54	54	63	63	78	
Max. number of modules in protection zone (W = 18mm)	Bottom module only*		1	2	3	3	3,5	4
	Top module only**		-	-	-	-	3	2

### INTERMEDIATE ZONE

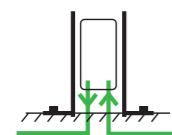
	LOTIPAK	MINIPAK	DYNAPAK	CITYPAK	POLYPAK	INTERPAK	EUROPAK	
Usable depth of the intermediate zone (mm)	-	-	-	48	-	65 / 78	75	
Usable width of the intermediate zone (mm)	-	-	-	54	-	62	78	
Max. number of modules in intermediate zone (W = 18mm)	Bottom module only*		-	-	-	3	3,5	4
	Top module only**		-	-	-	-	2	4

### INTERFACE ZONE

	LOTIPAK	MINIPAK	DYNAPAK	CITYPAK	POLYPAK	INTERPAK	EUROPAK
Usable depth of the interface zone (mm)	-	-	-	-	-	-	59
Usable width of the interface zone (mm)	-	-	-	-	-	-	74
Max. number of modules in interface zone (W = 18 mm)	-	-	-	-	-	-	According to configurations and elements to connect

\*Bottom module : module with a depth ≤ 40mm E.g. FPN or PFM.  
 \*\*Top module : module with a depth > 40mm E.g DPN or PFG.

# Configuration support

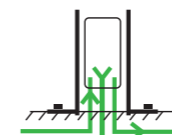


## TERMINAL OR TERMINAL BLOCK CONFIGURATION FOR 2 NETWORK CABLES

Usable width of the connection zone (mm)			LOTIPAK	MINIPAK	DYNAPAK	CITYPAK	POLYPAK	INTERPAK	EUROPAK
37			37	43	54	54	63	60	78
2 NETWORK cables	6mm <sup>2</sup>	4x	4BE2 terminal block	4BE2 terminal block	4BE2 terminal block	4BE2 terminal block	4BE2 terminal block	4BD2 terminals	4BE2 terminal block
		5G	4BE2 terminal block + 1 BD2 terminal*	4BE2 terminal block + 1 BD2 terminal*	5BD2 terminals	5BD2 terminals	5BD2 terminals	5BD2 terminals	5BD2 terminals
	10mm <sup>2</sup>	4x	4BE2 terminal block	4BE2 terminal block	4BE2 terminal block	4BE2 terminal block	4BE2 terminal block	4BD2 terminals	4BE2 terminal block
		5G	-	-	5BD2 terminals	5BD2 terminals	5BD2 terminals	5BD2 terminals	5BD2 terminals
	16mm <sup>2</sup>	4x	-	4BD2 terminal block	4BD2 terminal block or 4BD2 terminals	4BD2 terminal block or 4BD2 terminals	4BD2 terminal block or 4BD2 terminals	4BD2 terminals	4BD2 terminal block or 4BD2 terminals
		5G	-	-	5BD2 terminals	5BD2 terminals	5BD2 terminals	5BD2 terminals	5BD2 terminals
	25mm <sup>2</sup>	4x	-	-	4BC2 terminals	4BC2 terminals	4BC2 terminals	4BC2 terminals	4BC2 terminals
		5G	-	-	-	-	5BC2 terminals	5BC2 terminals	5BC2 terminals
	35mm <sup>2</sup>	4x	-	-	-	-	4BB2 terminals	4BB2 terminals	4BB2 terminals
		5G	-	-	-	-	-	-	5BB2 terminals*

\*Limit configurations on an upper floor : tight wiring.

CONNECTION ZONE



## TERMINAL OR TERMINAL BLOCK CONFIGURATIONS FOR 3 NETWORK CABLES

Usable width of the connection zone (mm)			LOTIPAK	MINIPAK	DYNAPAK	CITYPAK	POLYPAK	INTERPAK	EUROPAK
37			37	43	54	54	63	60	78
3 NETWORK Cables	6mm <sup>2</sup>	4x	-	4BE3 terminal block	4BE3 terminal block*	4BE3 terminal block*	4BE3 terminal block*	4BD3 terminals	4BE3 terminal block*
		5G	-	-	5BD3 terminals	5BD3 terminals	5BD3 terminals	5BD3 terminals	5BD3 terminals
	10mm <sup>2</sup>	4x	-	4BE3 terminals*	4BE3 terminal block*	4BE3 terminal block*	4BE3 terminal block*	4BD3 terminals	4BE3 terminal block*
		5G	-	-	5BD3 terminals	5BD3 terminals	5BD3 terminals	5BD3 terminals	5BD3 terminals
	16mm <sup>2</sup>	4x	-	-	4BD3 terminal block or 4BD3 terminals	4BD3 terminal block or 4BD3 terminal	4BD3 terminal block or 4BD3 terminals	4BD3 terminals	4BD3 terminal block or 4BD3 terminals
		5G	-	-	5BD3 terminals**	5BD3 terminals**	5BD3 terminals	5BD3 terminals	5BD3 terminals
	25mm <sup>2</sup>	4x	-	-	-	-	4BC3 terminals	4BC3 terminals	4BC3 terminals
		5G	-	-	-	-	5BC3 terminals**	5BC3 terminals**	5BC3 terminals
	35mm <sup>2</sup>	4x	-	-	-	-	4BB3 terminals**	4BB3 terminals**	4BB3 terminals
		5G	-	-	-	-	-	-	5BB3 terminals**

\*With lighting fixture cable output via the top

\*\*Limit configurations : tight wiring

CONNECTION ZONE