



# Festilum



IP67



Illumination connector with an elegant and robust design, for the quick and easy connection of light strings onto any lamppost.

Festilum also enables the connection of loudspeakers, WiFi terminals, security or CCTV cameras, etc.

Highly durable screwed connection.  
Straight or angled plugs.

Supplied as a complete unit with pre-wired cables for quick and easy connection onto any type of lamppost.

Connector on Hirschmann base, due to its high quality and wide coverage in Europe.

Advanced ground contact for improved safety.

## ADVANTAGES

Very robust.

High impact and tearing strength.

Smart design and small size.

Watertight to IP67.

Screwed contacts, ensuring simple on-site maintenance.

Captive cover.

## TECHNICAL CHARACTERISTICS

### Connector

- Self-extinguishing polyamide PA66, reinforced with fibreglass.
- 2 to 4 poles and advanced earth contact.
- Screw-on silver-plated brass contacts.
- Nominal value: 400 V<sub>AC</sub>-16 A.
- Insulation voltage: 2,500 V.
- IP67 (coupled or capped).
- Connection and locking via multi-turn screw.
- Post drilling diameter: 20 mm (27 mm max.).
- -40°C to +90°C.

### Casing

- Polyamide PA6 reinforced with fibreglass, anti-UV.
- Self-tapping stainless steel screws.

### Cable kit

- H07 RNF type.
- 3G1.5 mm<sup>2</sup> (10 A) or 3G2.5 mm<sup>2</sup> (16 A).
- Length: 5 or 7 m + 2.5 m.

### Product standards

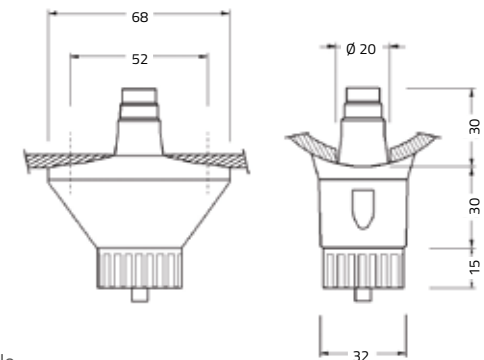
- EN 61984.
- UL E95522.

### Installation standards

- NF C17-202.
- NF C17-200 and associated guides.
- Recommendation: upstream protection by RCCB 10-30 mA (3G1.5<sup>2</sup> cable) or RCCB 16-30 mA (3G2.5<sup>2</sup> cable), "on the section between the female connector and the base of the post".

### Standard colour: ■■■

- RAL paint according to customer's wishes: please contact us.



## EASY TO INSTALL

Festilum's design means it can be quickly installed onto any type of post:

- Validation of the drilling diameter (20 mm, but up to 27 mm max. possible), or drilling (20 mm) into the post using a step drill, in accordance with procedures approved by the manufacturer.
- Feeding the "female connector - post base" cable (5 m or 7 m long) through the drill hole.
- Festilum directly fastened onto the post using the 2 self-tapping screws (pre-drilling "3 mm  $\leq$   $\emptyset$   $\leq$  3.5 mm" recommended for posts with a thickness  $\geq$  4 mm).

## FLEXIBILITY: NUMEROUS OPTIONS

As standard, Festilum is supplied as a complete pre-wired unit; but can also come in the form of half-units (pre-wired female connector or pre-wired male connector) or in the form of an unwired male connector.

### Cables

- As standard: 3G1.5 mm<sup>2</sup> (10 A) or 3G2.5 mm<sup>2</sup> cables (16 A).
- As standard: "female connector - post base" length: 5 m or 7 m.
- As standard: "male connector - strings" length: 2.5 m.
- Optional: please contact us for other lengths.
- Optional: 2 x 1.5 mm<sup>2</sup> or 2 x 2.5 mm<sup>2</sup> cables, to be specified when ordering.

### Male plugs

- Straight plug or angled plug.
- Optional: unwired male plug.

### Festilum sound system

- Different socket, connection and cable (3G1.5 mm<sup>2</sup>).
- Optional: shielded cable.

### Accessories (not supplied)

- Step drill for 20 mm drilling.
- Drilling lubricant.

